

# Fifteen Lounge | Indiana FURNITURE

## 15-22CCLR & 15-42CCLR

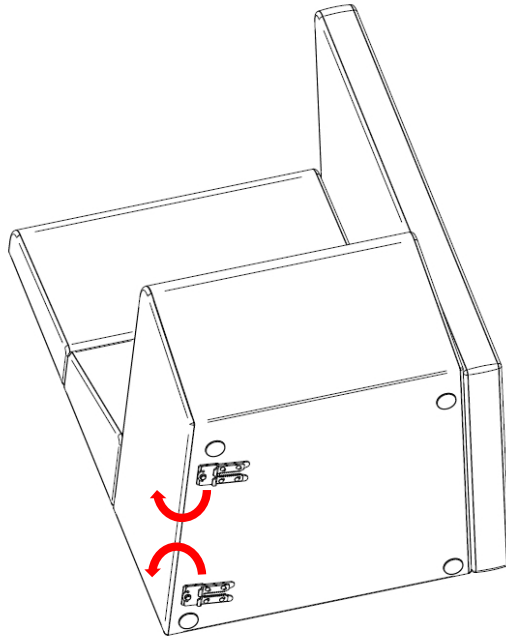
### Ganging Assembly Instructions

For assembly of 15-22CCLR  
or 15-42CCLR Models

## Ganging Concave Units:

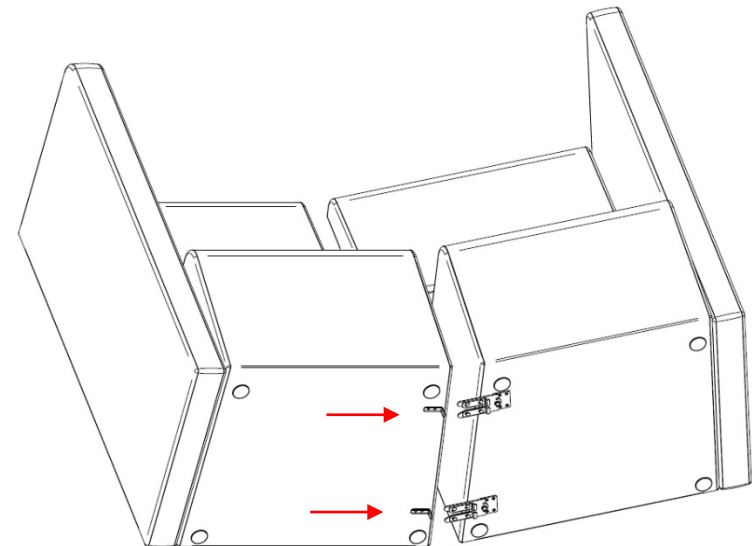
- 1 Starting with the right most seat in the seating layout.

Rotate out the 2 prong portion of the ganging bracket one at a time on the left side of the seat.

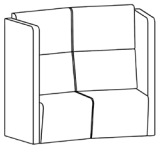


- 2 Set the second seat near the first seat so that the L bracket on the second seat aligns with the center of the 2 prong portion on the first seat.

Note: You may have to feel under the second seat to find the L bracket as it may not be visible.



Note: The brackets will click as the seats are pushed together. Push the seats together as tight as possible.



# Fifteen Lounge | Indiana FURNITURE

## 15-22CCLR & 15-42CCLR

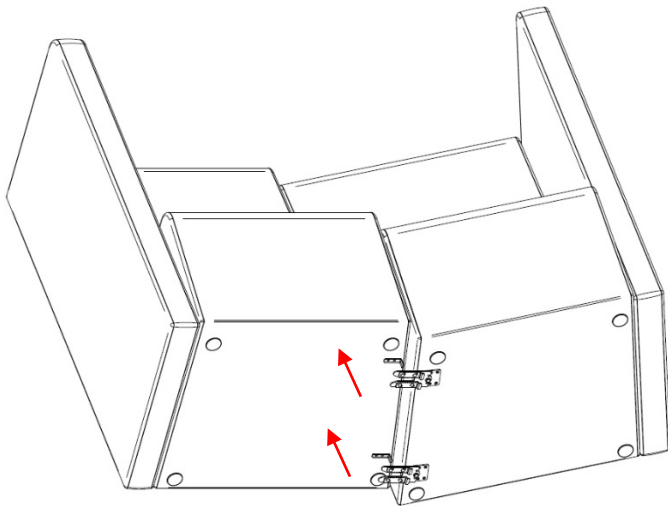
### Disassembly Instructions

For disassembly of 15-22CCLR  
or 15-42CCLR Models

## Separating/Disassembly:

- 1 Starting with the left most seat in the seating layout.

Lift up on the left seat, making sure that the right seat stays on the ground.



Note: You will only need to lift the seat approx. 2" to remove the L-bracket from the 2-prong portion of the ganging bracket.

- 2 Rotate the 2-prong portion of the bracket under the seat, one at a time.

