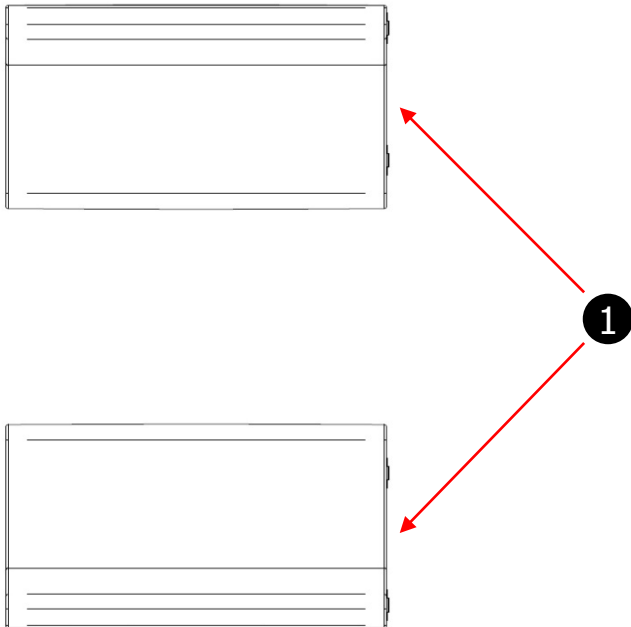




Center Panel/Booth Assembly Instructions

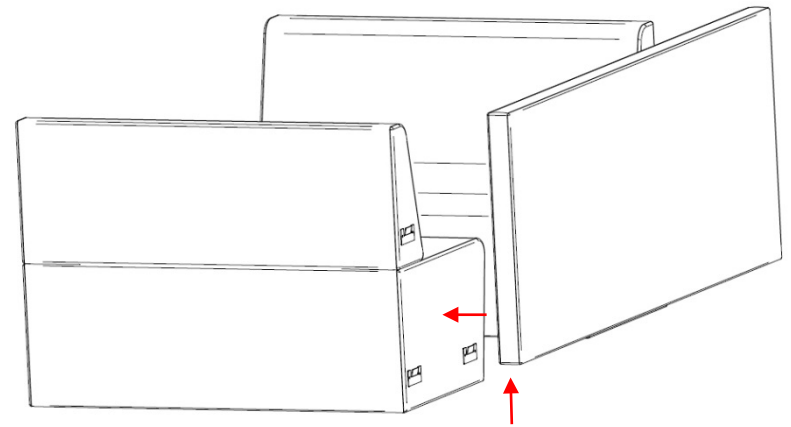
- 1 Align the end of the seats that will receive the Center Panel.

75" Panel – Place seats approx. 27.5" apart
81" Panel – Place seats approx. 33.5" apart



- 2 Place Center Panel approx. 6" away from seats. Lift Center Panel 6" off ground and move panel so that it touched the 2 seats.

Align the ends of the Center Panel with the backs of the seats.

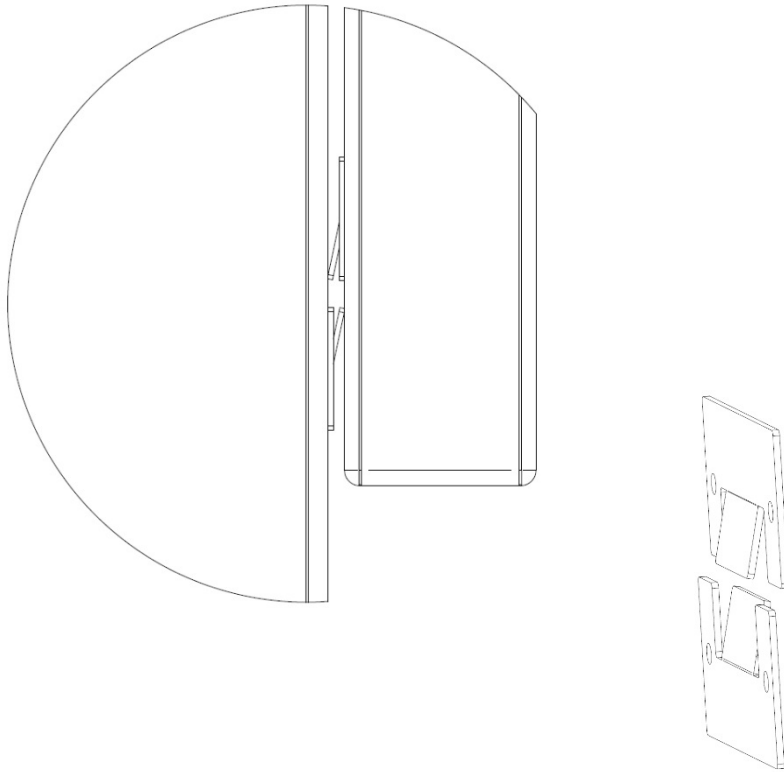


Note: Images shown are for clarity purposes only and may not match the items that you are assembling.

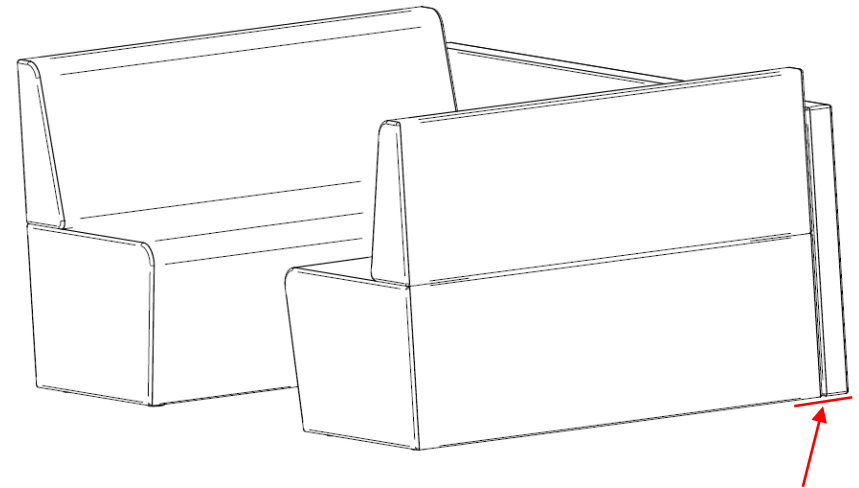


Center Panel/Booth Assembly Instructions

- 3 Slide the Center Panel down until it engages all brackets on the seats and the Center Panel.



- 4 Press the Center Panel down until the bottom of the Center Panel and the bottom of the Seats is aligned.



Align on both ends of Center Panel

Note: The Center Panel will gradually be pulled tighter to the seats. This will make the Center Panel harder to push down.

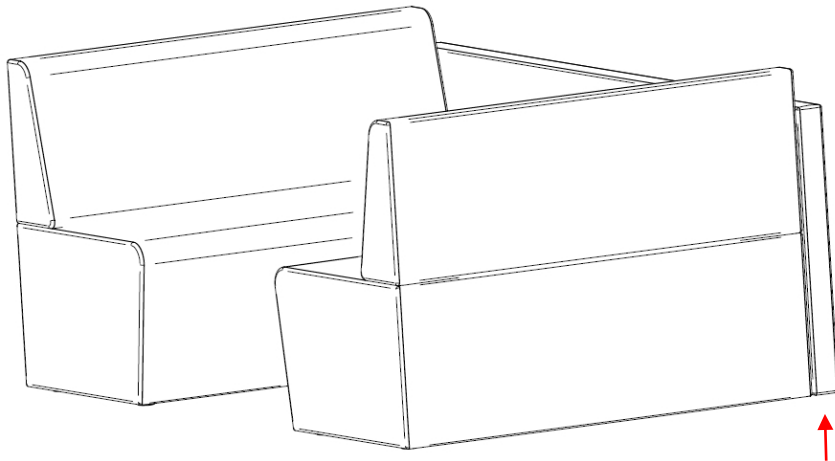
- 5 Center Panel is now attached.

Note: Images shown are for clarity purposes only and may not match the items that you are assembling.

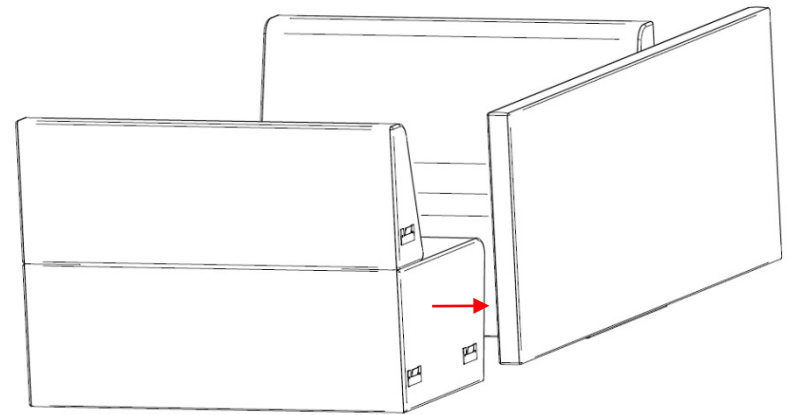


Center Panel/Booth Disassembly Instructions

- 1 Lift up the Center Panel on both ends to remove.



- 2 Once Center Panel has been raised 6", move Center Panel away from seats.



- 3 Center Panel is now removed.