

Fifteen Lounge | Indiana FURNITURE

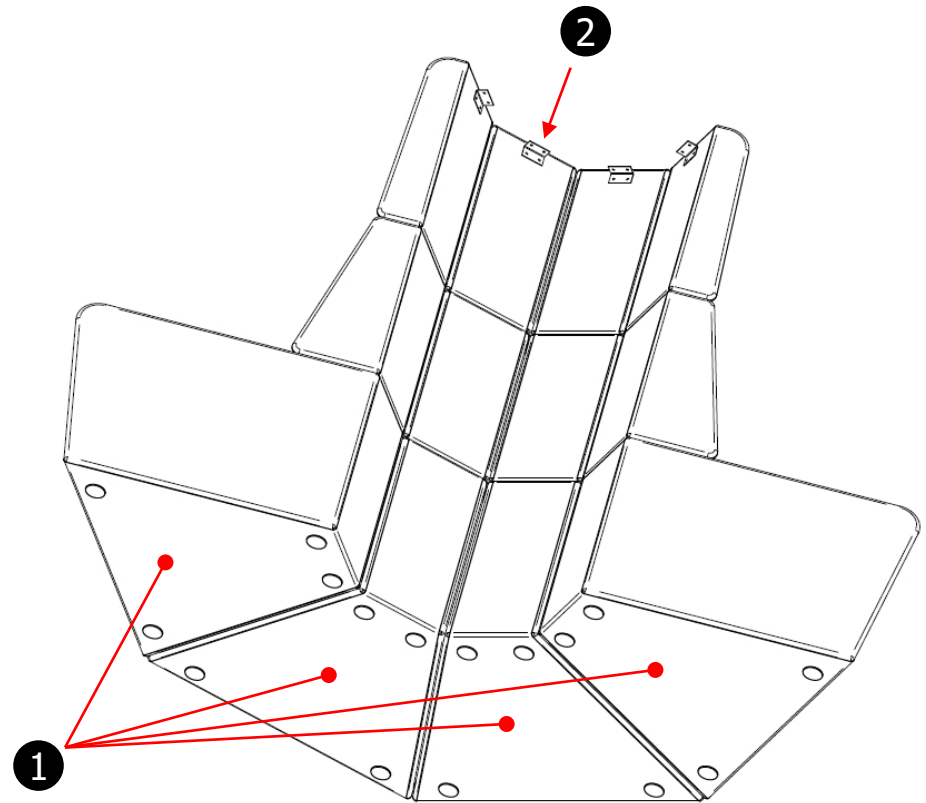
15-INSERT Assembly Instructions

Note: 15-INSERT is designed to be used with 15-11ECR or 15-12ECR. 15-11ECR or 15-12ECR must be ganged in an octagonal shape prior to installation of 15-INSERT.

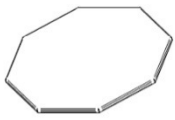
- 1 Gang together 4 seats. See Ganging Bracket instructions.
- 2 Attach the 2209-00211 L bracket to the back of the 15-11ECR or 15-12ECR using the 2202-00896B32 - #8 x 5/8" PPH screws.

Note: Use supplied gauge to locate bracket install location.

- 3 Repeat step 1 & 2 twice. You should have 2 separate 4 seat sections.



Note: Ganging brackets not shown for clarity

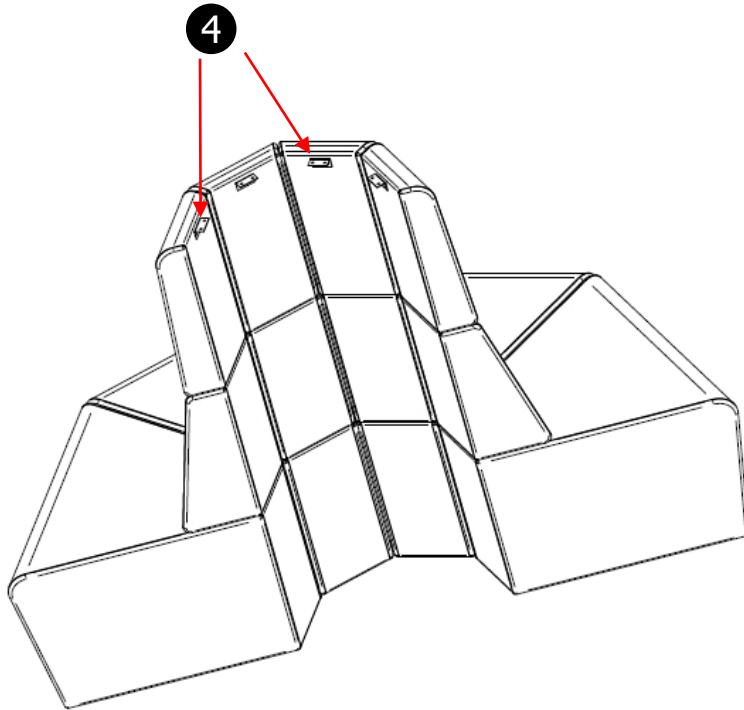


Fifteen Lounge | Indiana FURNITURE

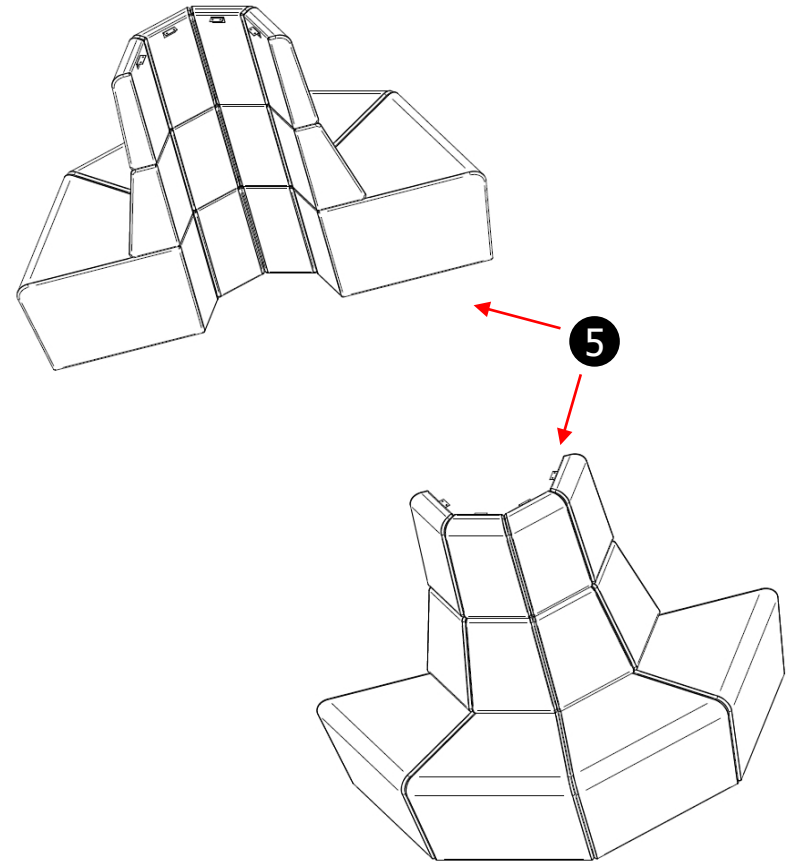
15-INSERT Assembly Instructions

- 4** Cut 2 pieces of Velcro (Hook side) and attach to L Bracket.

Repeat for other section.



- 5** Push the 2 sections of 4 seats together to make 1 octagonal shaped seat.



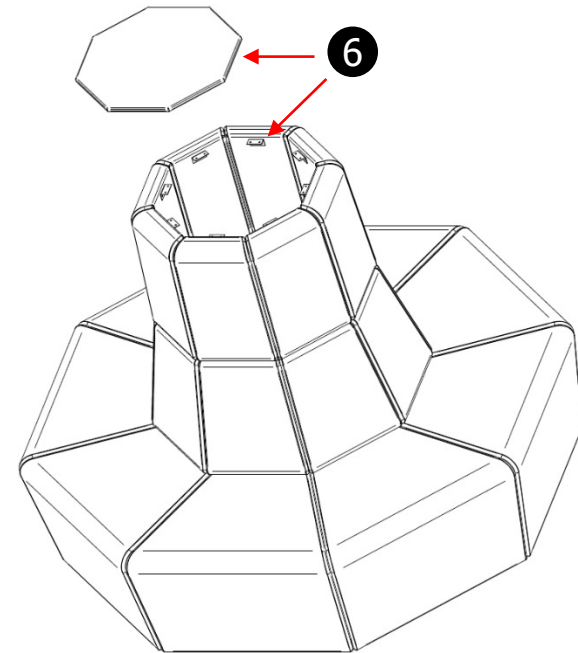


Fifteen Lounge | Indiana FURNITURE

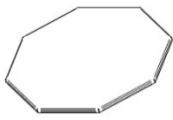
15-INSERT Assembly Instructions

6 Insert the 15-INSERT into the opening, it will sit on top of the brackets.

7 15-INSERT is now installed.



Note: Once installed, the 15-INSERT is not intended to be a seat.



Fifteen Lounge | Indiana FURNITURE

15-INSERT Disassembly Instructions

Separating/Disassembly

- 1 Push down on one corner of 15-INSERT, the opposite corner will rise. Remove the 15-INSERT.

