

Assembly Instructions

Components for TFL or High Gloss Acrylic:

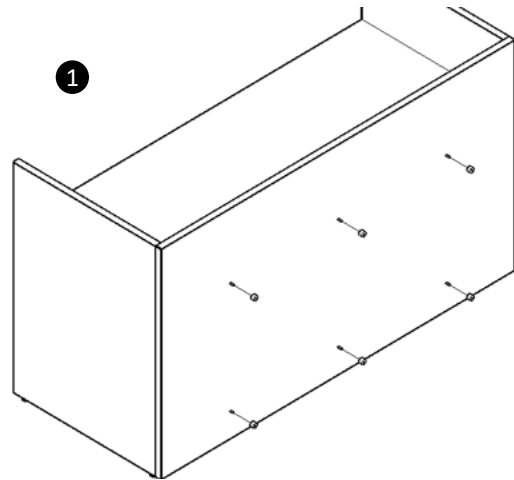
- TFL or High Gloss Acrylic Overlay Panel
- 1/4 - 20 x 2" Bolts (Qty 6)
- 1/2" Standoff Spacers (Qty 6)

Components for Frosted Acrylic:

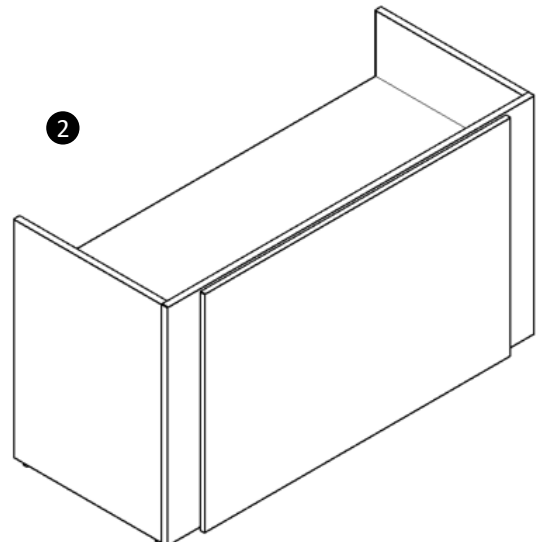
- Frosted Overlay Panel
- Standoff Spacers (Qty 4)
- 5/8" Screws (Qty 4)
- Threaded Caps (Qty 4)

Assembly for TFL or High Gloss Acrylic:

- 1 There are 6 Thru Holes on the desk unit. Insert 2" Bolts and slide on Spacers.



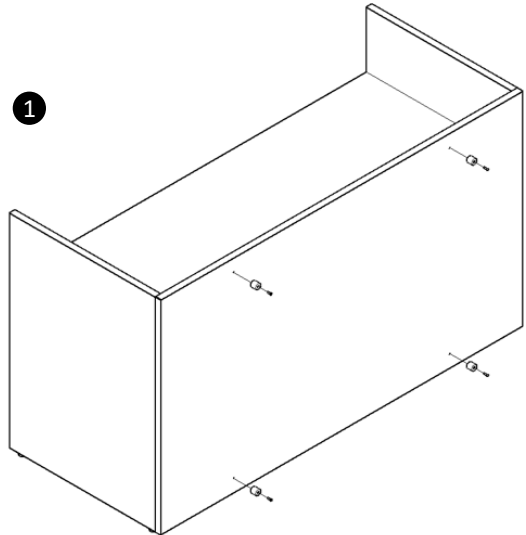
- 2 Align Overlay Panel and drive Bolts into threaded inserts to hold in place.



Assembly Instructions (continued)

Assembly for Frosted Acrylic:

- 1 There are four locating holes on the front of the desk unit. Attach Standoff Spacers using 5/8" Screws.



- 2 Align Frosted Overlay Panel and Screw in the Threaded Caps.

